

(Video Component Quick-Connect Guide on other side)

### Congratulations!

The Unity Home Theater System will make watching movies at home more fun than ever. To connect your speakers to the receiver follow the instructions on this sheet. To learn how to operate your receiver please read and follow the instruction manual included in the DVD receiver's box. If you're also connecting other equipment, such as a TV, VCR, or other source component, use the other side of this Quick-Start Guide in combination with the manuals that came with those components.

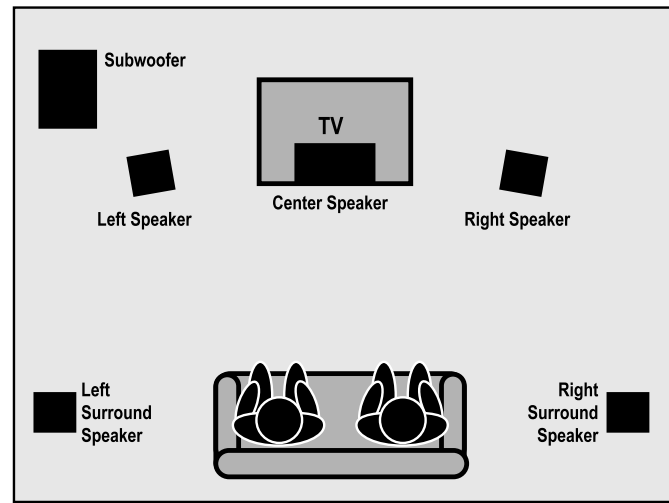
### Placing Your Speakers

Place the speakers as shown in the diagram to the right. While you're setting the speakers up, keep these points in mind:

- If the subwoofer causes discoloration of the TV picture, move it away from the TV until the discoloration disappears.
- You can hang the left, right and surround speakers on the wall using heavy-duty picture-hangers.
- Placing the subwoofer next to a wall yields more deep bass output than placing it away from a wall. Placing the subwoofer in a corner yields the deepest bass output overall.

The subwoofer will sound good just about anywhere in the room

Place the center speaker above or below the center of your TV. Angle it down or up to aim it directly at the listeners.



Place the left and right speakers on each side of your TV. Angling them towards the listeners improves the stereo effect.

Place the surround speakers as high as possible, directly to the sides of the listening area, pointing at the listeners

### Connecting Your Speakers

**Important: Do not plug the DVD receiver's power cord into an AC outlet until you have properly connected all of the speakers.**

Connect the speakers as shown in the main diagram. To make connecting the speakers easier, we have color-coded the speaker connectors, the terminals on the receiver, and the labels on the speakers. Use the audio cable with the blue DIN plugs to connect the subwoofer.

### Balancing the Speakers

Your Unity DVD receiver comes with the speaker volume and distance settings pre-balanced. If you have positioned the speakers as shown in the diagram your system will create a spacious surround sound environment right out of the box with no further adjustment required.

If your room is arranged differently than shown in the diagram, or if you simply want to fine-tune your system's performance, you can easily change the volumes of the individual speakers to get a better balance:

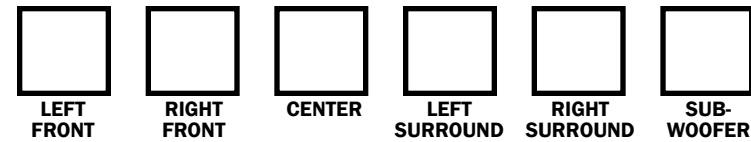
1. Select the speaker you want to adjust with the L, R, SL, SR, C and SW buttons:

- L = Left Front
- R = Right Front
- SL = Left Surround
- SR = Right Surround
- C = Center
- SW = Subwoofer

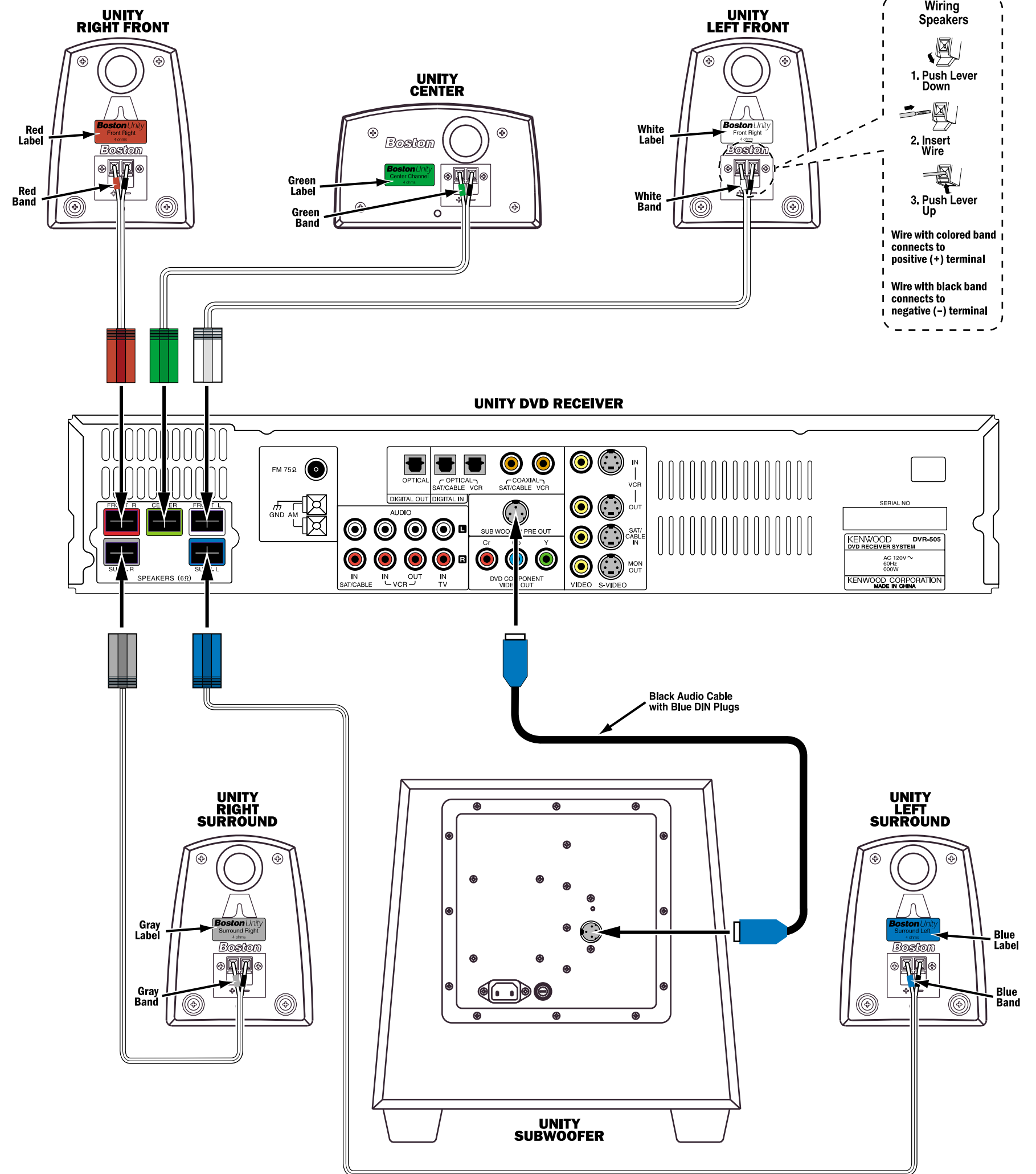
The display will show the selected speaker and its relative volume level.

2. Use the TRIM/MULTI-CONTROL buttons to adjust the selected speaker's volume.

- Do not be concerned with the volume level readout on the display while you're doing the adjusting—this is for reference purposes only. However, once you've balanced all the speakers you should write down each speaker's volume level setting for reference:



For more detailed information about speaker adjustments, see the DVD receiver instruction manual.



If you have any questions about your new system, please contact our Customer Service Department at (800) KENWOOD, or visit our Web site at [www.kenwoodusa.com](http://www.kenwoodusa.com)

(Speaker Quick-Connect Guide on other side)

**Connecting your video components to the receiver**

Your new Unity system has several different video connection options, which allow you get the best video picture with whatever TV or monitor you are using.

**Connecting your TV**

Connect your TV to the DVD receiver as shown in the main diagram, using the supplied cable. If you want the sound from your TV to play through the Unity system, connect its audio output to the DVD receiver as shown in the diagram.

**Connecting your VCR and DSS receiver or cable TV tuner**

Connect your VCR and DSS receiver or cable TV tuner to the DVD receiver as shown in the main diagram, using cables supplied with the VCR and DSS receiver.

**Digital Connection**

If your DSS receiver has a digital output, you can connect it to one of the DVD receiver's digital inputs, using the cable supplied with the DSS receiver or cable tuner. This will allow you to enjoy the full benefit of the 5.1-channel digital soundtracks that are broadcast on some satellite programs.

*Note: Only connect one type of digital cable to the DVD receiver. Connecting both types will mute the digital input.*

**Optional Video Connections**

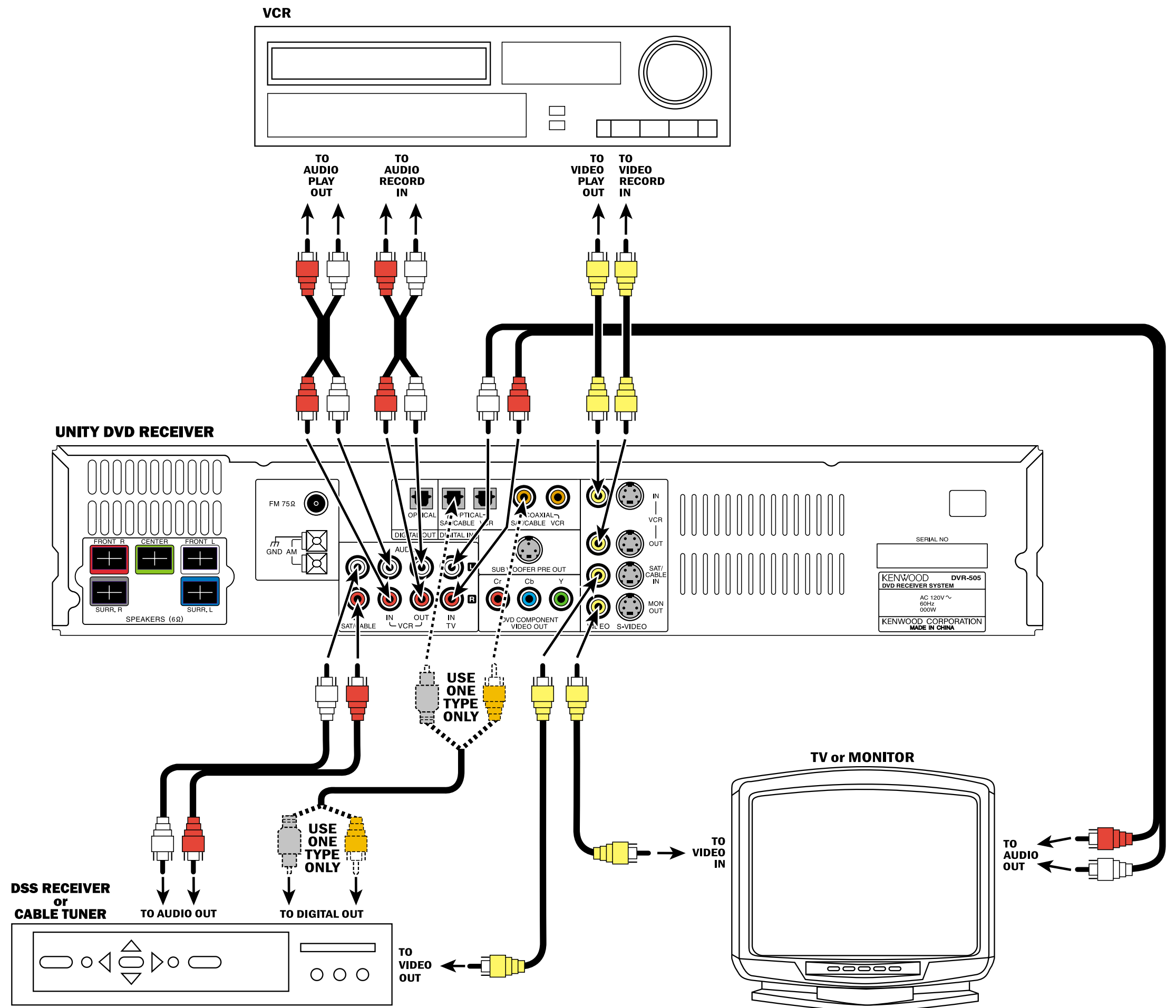
This Quick-Start Guide shows the basic video connections. For more information about using S-Video or Component Video connections for improved video quality, refer to the DVD receiver's instruction manual.

**To get the best video quality from all your video sources, use the chart below to determine what connections you need to make between the DVD receiver and your TV:**

**MAKE THESE CONNECTIONS FROM DVD RECEIVER TO TV**

	IF YOUR TV HAS A COMPONENT VIDEO CONNECTION	IF YOUR TV HAS AN S-VIDEO CONNECTION	IF YOUR TV HAS A STANDARD VIDEO CONNECTION
IF YOU HAVE CONNECTED NO OTHER COMPONENTS	COMPONENT	S-VIDEO	STANDARD VIDEO
IF YOU HAVE CONNECTED S-VIDEO COMPONENTS	COMPONENT & S-VIDEO	S-VIDEO	S-VIDEO & STANDARD
IF YOU HAVE CONNECTED STANDARD VIDEO COMPONENTS	COMPONENT & STANDARD	S-VIDEO & STANDARD	STANDARD

*Note: Since the Component Video output only functions with the DVD receiver's built-in DVD player, if you have connected any other video components to the DVD receiver you will also need to connect the DVD receiver to the TV using the same type(s) of connections used for the connected components.*



If you have any questions about your new system, please contact our Customer Service Department at (800) KENWOOD, or visit our Web site at [www.kenwoodusa.com](http://www.kenwoodusa.com)